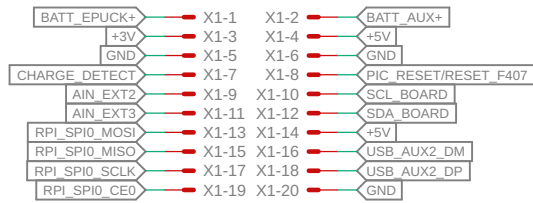
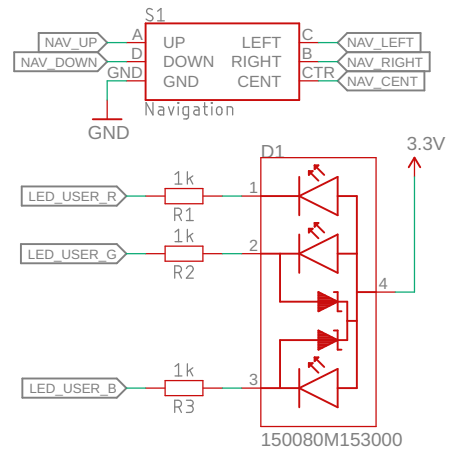


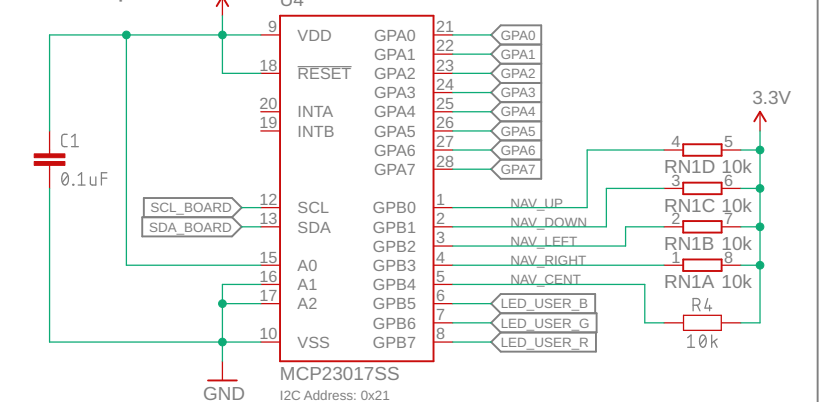
Pi-puck Expansion Connector



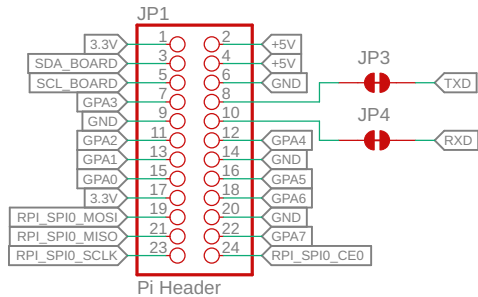
Navigation Switch and RGB LED



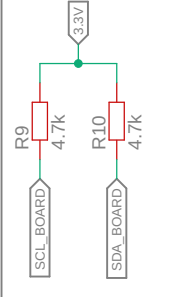
GPIO Expander



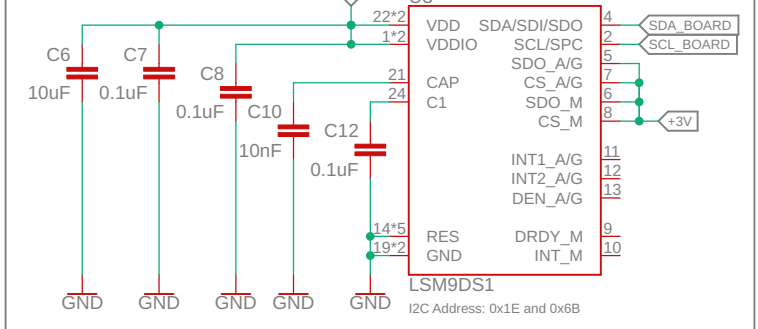
Partial Pi Header



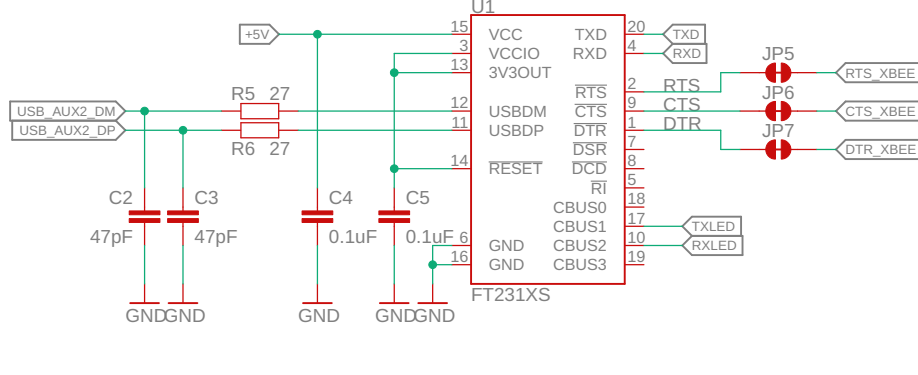
I2C Pull-ups



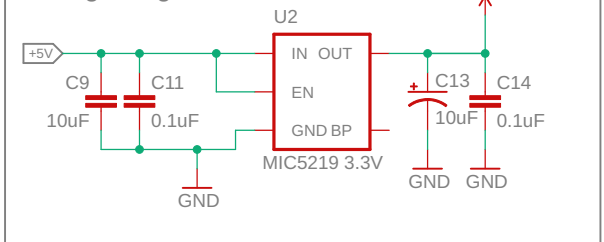
IMU



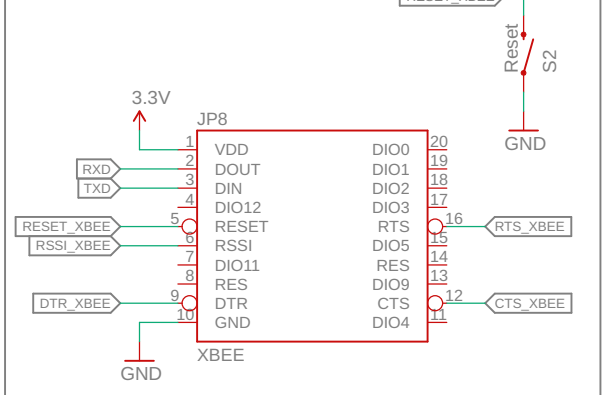
USB UART



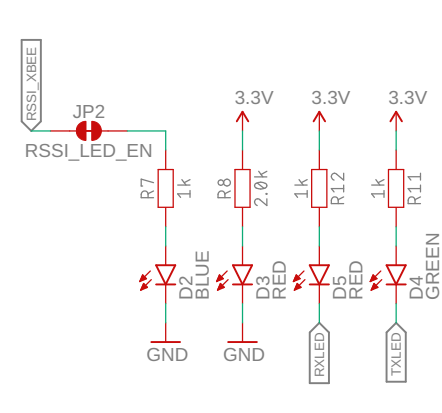
Voltage Regulator



XBee Connectors and Reset



Status LEDs



YRL Pi-puck Expansion Board

Pi-puck Expansion

25/02/2020 20:05

Sheet: 1/1



Russell Joyce

Rev: v1.0